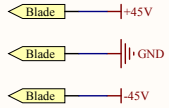
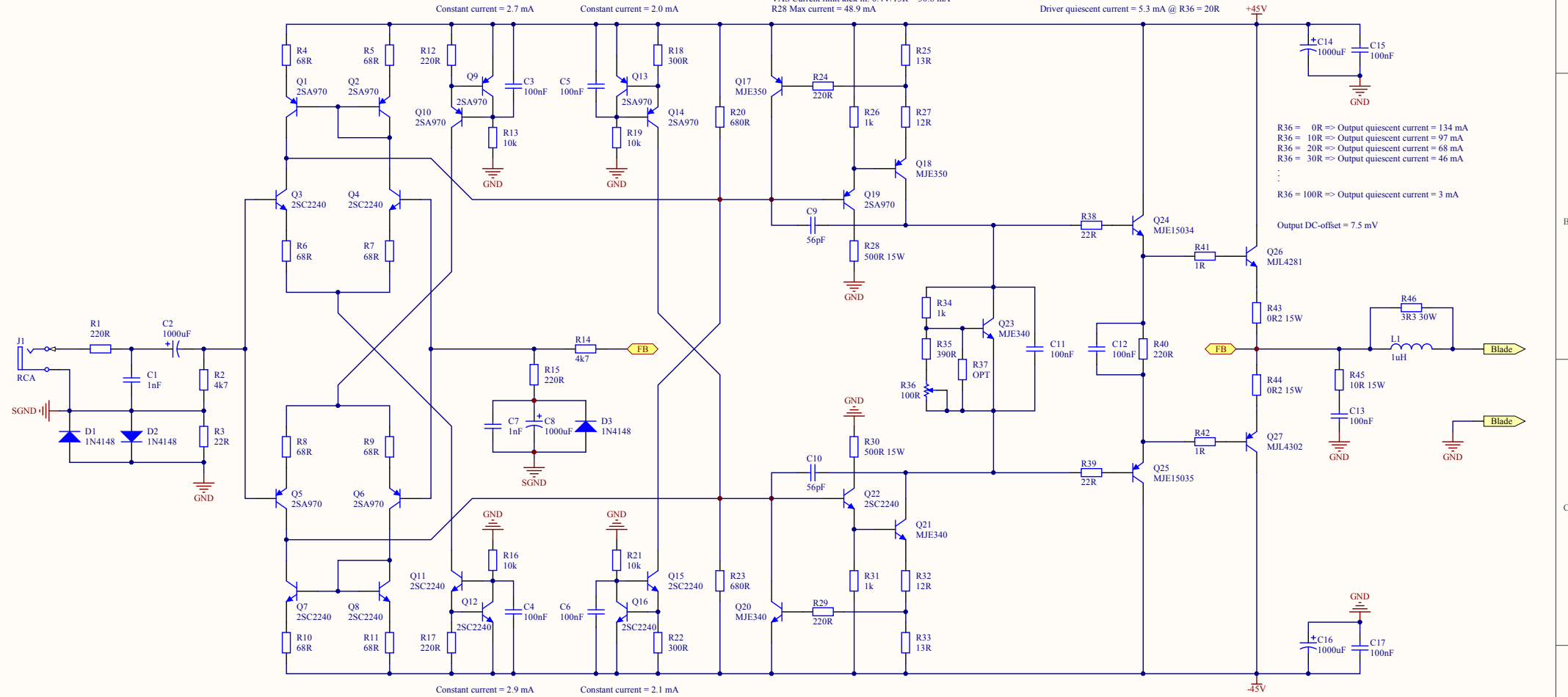


Notes:
 Simulated currents in LT Spice with 1% resistor tolerance



VAS Quiescent current = 8.8 mA
 VAS Current limit kick in: 0.4V/13R = 30.8 mA
 R28 Max current = 48.9 mA



R36 = 0R => Output quiescent current = 134 mA
 R36 = 10R => Output quiescent current = 97 mA
 R36 = 20R => Output quiescent current = 68 mA
 R36 = 30R => Output quiescent current = 46 mA
 ...
 R36 = 100R => Output quiescent current = 3 mA

Output DC-offset = 7.5 mV

Title SimSym Amplifier (Small)		
Size A3	Number	Revision 1.0
Date: 2009-07-04	Sheet 1 of 1	
File: C:\Documents and Settings\... \SimSymAmplifier\SimSymAmplifier.SchDoc		